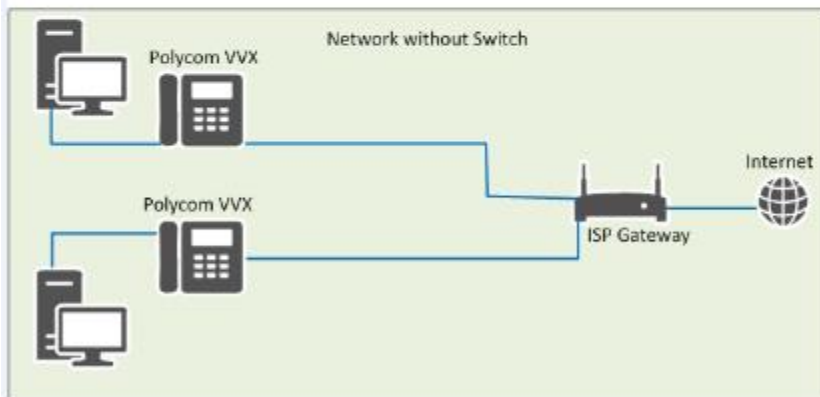
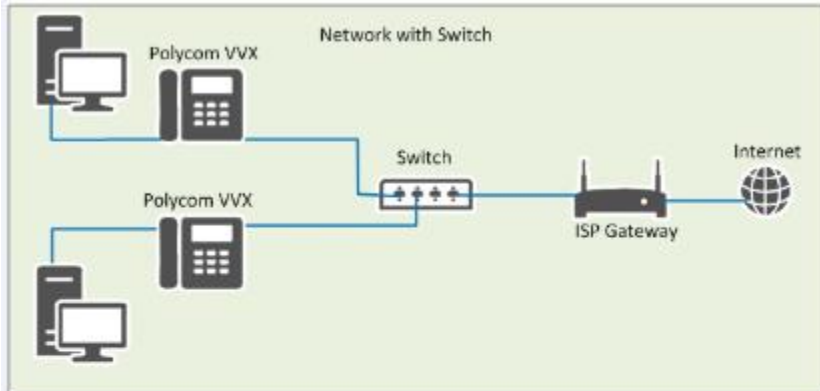


Network Readiness

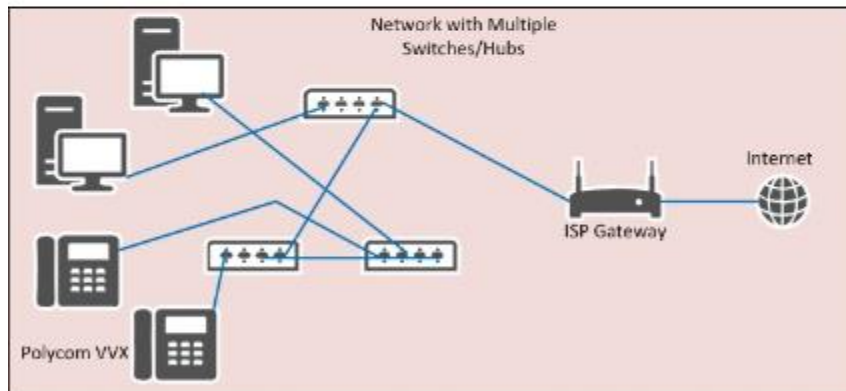
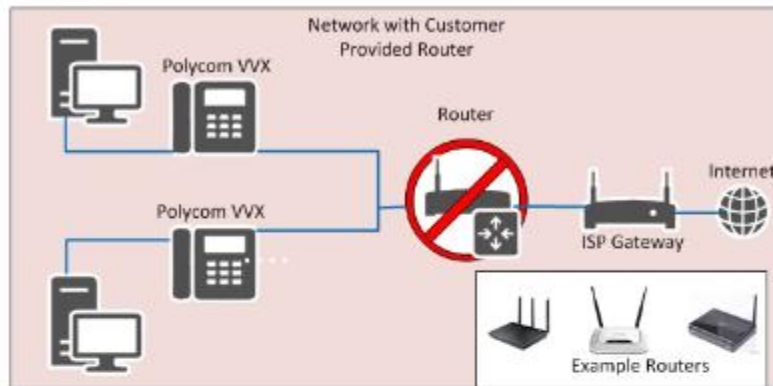
Recommended



- ISP Gateway has 4 ports for Phone and/or Computer. If more than 4 are required, installation of switch will be required.
- Plug your phones into the network. Your computer cable can be plugged into the back of your phone.
- This setup will minimize variables in the Local Area Network

Network Readiness

Not Recommended



- Ensure that phones are not installed behind a customer provided router. This can create audio quality issues.
- Multiple switches/routers within a network can cause latency if not configured correctly. These are normally located in wiring closets, the ceiling, or under desks.
- If a customer provided router is required, please consult with your IT Vendor