



SERVICE GUIDE OPTICAL CARRIER 192(OC-192) SERVICES PRODUCT AND PRICING

1. SERVICE PRICES

Channel Termination - Per Point of Termination **
Terminating Bit Rate 9953.28 Mbps

	<u>USOC</u>	<u>Monthly</u>	<u>12 Mo.</u>	<u>24 Mo.</u>	<u>36 Mo.</u>	<u>48 Mo.</u>	<u>60 Mo.</u>	<u>84 Mo.</u>
TMECS/TMEC4		\$19,500.00	\$13,000.00	\$12,000.00	\$11,000.00	\$10,000.00	\$9,500.00	\$8,300.00

Channel Mileage

- Fixed	1L5XX	\$3,600.00	\$1,200.00	\$1,150.00	\$1,100.00	\$1,050.00	\$1,000.00	\$ 920.00
- Per mile at 9953.28 Mbps	1L5XX	225.00	150.00	138.00	125.00	113.00	100.00	90.00

Optional Features and Functions

Multiplexing Per Arrangement	MXRGX	11,700.00	7,800.00	7,300.00	6,800.00	6,320.00	5,840.00	5,380.00
---------------------------------	-------	-----------	----------	----------	----------	----------	----------	----------

Add/Drop Function

Per GigE	MXJJX	1650.00	250.00	238.00	225.00	213.00	200.00	180.00
Per 100Mbps	MXJKX	375.00	250.00	250.00	250.00	250.00	250.00	250.00
Per 10mg	MXJLX	120.00	80.00	78.00	75.00	73.00	70.00	65.00
Per OC192	MXJ9X	3000.00	2,000.00	1,950.00	1,900.00	1,850.00	1,800.00	1,675.00
Per OC-48	MXJFX	1500.00	1,000.00	975.00	950.00	925.00	900.00	830.00
Per OC-12	MXJEX	750.00	500.00	475.00	450.00	428.00	405.00	375.00
Per OC-3	MXJCX	300.00	200.00	175.00	150.00	143.00	135.00	125.00
Per DS3	MXJBX	120.00	80.00	78.00	75.00	73.00	70.00	65.00

ISP Connection	LVP	150.00	100.00	100.00	100.00	100.00	100.00	100.00
----------------	-----	--------	--------	--------	--------	--------	--------	--------

Private Virtual Circuit/VLAN	PVCAX	60.00	40.00	40.00	40.00	40.00	40.00	40.00
---------------------------------	-------	-------	-------	-------	-------	-------	-------	-------

* One Year Minimum on all features and functions.

** Grandfathered as of May 6, 2024. Current customers may maintain their service rate structure until their contract expires at which time the service will default to MTM rate. As a result, you will not be permitted to order any new service or move an existing service from your current location to a new location

	<u>USOC</u>	<u>Monthly</u>	<u>12 Mo.</u>	<u>24 Mo.</u>	<u>36 Mo.</u>	<u>48 Mo.</u>	<u>60 Mo.</u>	<u>84 Mo.</u>
Cross-Connection of Services OC-192/STM-64 to OC-192/STM-64 Cross-Connect Per Circuit	OCCGX	\$150.00	100.00	100.00	100.00	100.00	100.00	100.00

1+1 Protection with Route Survivability Per Quarter								
Route Mile	S2DXY	30.00	20.00	20.00	20.00	20.00	20.00	20.00
1+1 Protection with Central Office Survivability Per Quarter								
Route Mile	S2VXY	30.00	20.00	20.00	20.00	20.00	20.00	20.00
Point-to-Point OC-192/STM-64 Regenerator								
- Each (as required)								
	RGY92	8700.00	5,800.00	5,800.00	5,800.00	5,800.00	5,800.00	5,800.00
Optical to Electrical DS1 Add/Drop Capability								
Per OC-3/STM-1 to DS1 Add/Drop								
	MXJDX	1800.00	1,200.00	1,175.00	1,150.00	1,125.00	1,100.00	1,010.00
DS-1 Port at OC-12/STM-4 Node								
	MXJAX	75.00	50.00	48.00	45.00	43.00	40.00	35.00

Special Construction charges may apply

Expedite Charge, per order:	\$1,500.00	USOC: CX4GX
Design Change Charge, per order:	\$ 100.00	USOC: H28
Service Date Change Charge, per order:	\$ 100.00	USOC: OMC
Design Management Charge, per request circuit level moved:	\$1,150.00	USOC: PCC10
Circuit Identification Charge, per occurrence:	\$ 300.00	USOC: NRTAG

2. DESCRIPTION:

2.1 Point-to-Point OC-192/STM-64, channels provide high speed synchronous optical fiber-based full duplex data transmission capabilities. This service provides optical data transmission channels operating at the terminating bit rate of 9953.28 Mbps. OC-192/STM-64 channels may be used to connect:

- one customer-designated premises to another customer-designated premises, either with or without the add/drop multiplexing capability at the customer-designated premises.
- a customer-designated premises, either with or without add/drop multiplexing capability to a Telephone Company location where add/drop functions and/or cross-connections are performed.

2.2 OC-192/STM-64 Channels consist of Channel Terminations (CTs), interoffice Fixed and Per- mile mileage elements and optional features and functions which provide optical interconnection between the Telephone Company Serving Wire Center (SWC) and the customer premise.

2.3 OC-192/STM-64 service may be connected to OC-12/STM-4, OC-48/STM-16 and OC-192/STM-64 by (1) using the appropriate OC-3/STM-1, OC-12/STM-4, OC-48/STM-16 or OC-192/STM-64 add/drop multiplexer (mux) at the two customer premises or between a customer premises and a Telephone Company location or (2), by using the full bandwidth premises to premises, or between a customer premises and a Telephone Company location.

2.4 Add/Drop Multiplexing only occurs at the customer premises. The customer may supply the equipment, or have the Telephone Company supply the equipment for them. Add/Drop Multiplexing does not occur at the Telephone Company Serving Wire Center. OC-3 to DS1 Multiplexing only occurs at the Central Office. Add/Drop Functions occur at the Customer Premises and at the Telephone Company Serving Wire Center in order to support the full bandwidth of the Service.

ADD/DROP Function

	DS1	DS3	OC3	OC12	OC48	OC192	10mg	1000mg	GigE
OC-192/STM-64	No*	Yes	Yes	Yes	Yes	Yes	Yes	Yes	Yes
OC-48/STM-16	No*	Yes	Yes	Yes	Yes	N/A	Yes	Yes	Yes
OC-12/STM-4	No*	Yes	Yes	Yes	N/A	N/A	Yes	Yes	Yes
OC-3/STM-1	Yes	Yes	Yes	N/A	N/A	N/A	Yes	Yes	Yes

2.5 OC-192/STM-64 Service based on customer requirements can be configured with 192 STS-1 (Synchronous Transport Signals) channels which each contain:

- one DS3 that is STS-1 mapped;
- up to 28 DS1s that are VT-mapped;
- an STS-1 channel without constraint to payload mapping when the STS-1 channel does not terminate via an add/drop function to DS1 or DS3 services within the CBT network;
- 64 concatenated STS-3C channels;
- sixteen concatenated STS-3C channels;
- four concatenated STS-12C channels;
- Any of the above arrangements may be used in combination with each other subject to utilization of the total OC-48/STM-16 capacity
- a single concatenated STS-192C channel.

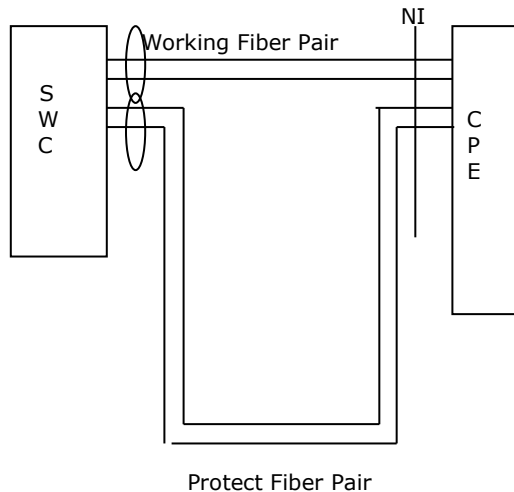
2.6 The customer is responsible via the ordering process to identify what STS

signal configuration is to be contained in each OC-192/STM-64 service connection and each STS-16 payload content. This information is needed for routing and connection purposes in the network.

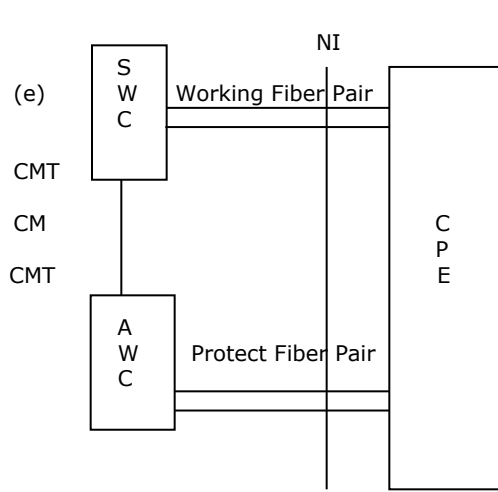
2.7 The 1+1 Protection with Route Survivability option will provide 1+1 protection and offer additional protection from fiber cable cuts by routing the working fiber pair via the primary route and the protect fiber pair via a physically diverse alternate route. The protect fiber will be charged on a distance-sensitive basis, based on quarter route miles, from the customer premise to the serving wire center.

2.8 The 1+1 Protection with Central Office Survivability for OC-192/STM-64 option on will provide 1+1 protection and offer additional protection from Serving Wire Center (SWC) failure for services not terminating at the SWC.

DIFFERENT PHYSICAL PATH



ALTERNATE WIRE CENTER



*CM = Channel Mileage
*CMT = Channel Mileage Terminations

THIS CINCINNATI BELL SERVICES AGREEMENT IS SUBJECT TO CINCINNATI BELL GENERAL TERMS AND CONDITIONS. BY SUBMITTING AN ACCESS SERVICE REQUEST, CUSTOMER ACKNOWLEDGES THAT CUSTOMER HAS READ, UNDERSTANDS, ACCEPTS AND AGREES TO BE BOUND BY ALL SUCH TERMS AND CONDITIONS.

3. SERVICE AND RATES

3.1 In addition to the Service Prices, Customer will incur any and all charges that may be mandated by any regulatory Commission with jurisdiction over Cincinnati Bell or OC-192 Service.

3.2 If Customer cancels, in whole or in part, any requested addition, rearrangement, relocation or other modification to OC-192 Service prior to completion thereof, Customer will reimburse Cincinnati Bell for the actual time and material expenses incurred by it in connection with such modification prior to Cincinnati Bell's receipt of notice of cancellation; provided, however, the amount of

such reimbursement will not exceed the service, construction, installation, termination and other charges for which Customer would have otherwise been responsible.

3.3 Access Order service dates for the installation of new services or rearrangements of existing services may be changed, but the new service date may not exceed the original service date by more than 30 calendar days. When, for any reason, the customer indicates that service cannot be accepted for a period not to exceed 30 calendar days, and Cincinnati Bell accordingly delays the start of service, a Service Date Change Charge will apply. If the customer requested service date is more than 30 calendar days after the original service date, the order may be canceled by Cincinnati Bell and reissued with the appropriate cancellation charges applied unless the customer indicates that billing for the service is to commence.

3.4 If nonrecurring charges associated with the installation of OC-192 Service are waived and the OC-192 Service is then terminated prior to the expiration of the Initial Term, the Customer will become liable for payment of the waived charges.

4. TERM

4.1 OC-192 Service is available for a minimum term of 12 months, or under a term payment plan of 24, 36, 48, 60 or 84 months. If a Customer terminates a service, without cause, prior to the expiration of the term, the Customer will pay to Cincinnati Bell a termination charge equal to all remaining amounts due or to become due, including but not limited to all monthly charges for which Customer would have been responsible if the Customer had not terminated prior to the end of the applicable 12, 24, 36, 48 60, or 84-month term payment plan.

4.2 The initial term for the individual services covered under this Supplement shall be specified in the applicable Access Service Request.

4.3 Following expiration of the term of a service covered under this Supplement, the service will automatically renew on a month-to-month term at the then-current rate in the rate schedule, unless either party provides written notice to terminate at least thirty (30) days prior to expiration of the initial or any renewal term.

5 . OUTAGE ADJUSTMENTS

5.1 An interruption of service will start when an inoperative OC-192 Service is reported to Cincinnati Bell and end when the service is operative. In any month, as a result of an interruption or series of interruptions, the total credit per rate element of the interrupted service may not exceed 100 percent of the monthly charge for that particular rate element and are the complete remedy to the Customer for service interruptions.

5.2 For OC-192 Service with 1+1 Route and Central Office Survivability, any service interruptions greater than 1 minute will result in a credit equal to the applicable monthly charge for the service involved.

5.3 For OC- 192 Service without 1+1 Route and Central Office Survivability, any service interruptions greater than 30 minutes will result in a credit equal to 1/1440 of the applicable monthly charge for the service involved. The same credit will apply for each additional 30 minute period that the service remains inoperable.